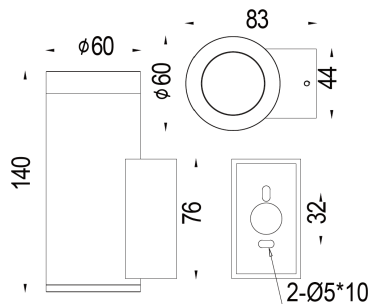


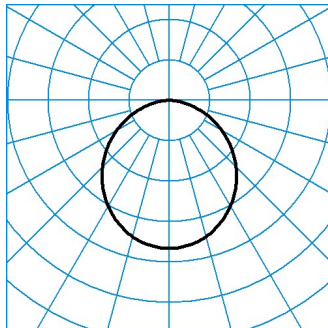
KIM



DIMENSIONS



OPTICS



Product

Name	KIM IP65 10W 4000K
Reference	SIR1060R1A
Color	Customized
RAL	ANY
Category	WALL SURFACE

Light Source

Type	LED
Gross luminous flux	1180 lm
Color temperature	4000K
Chromatic stability	MacAdam Step 2
Color Rendering Index	CRI>80
Power	20W
Current	350 mA
Efficacy	113 lm/W
LED lifespan	L70B50 >50,000h

LIGHTING FIXTURE | PHOTOMETRIC DATA

Lighting efficiency	84%
Light beam angle	18°/22°/31°/58°

LIGHTING FIXTURE | ELECTRICAL DATA

Driver	Included - Connected
Power values of the system	10W
Voltage	127/24
Frequency	50/60 Hz
Electrical insulation class	Class II

OTHER DATA

Sealing	IP65
Dimming / Emergency Kits	Available
Impact resistance	IK10
Recess measurements	140x 60 mm
Weight	750g
Units per package	1
Materials	Extruded Aluminium
Diffuser	Tempered glass

